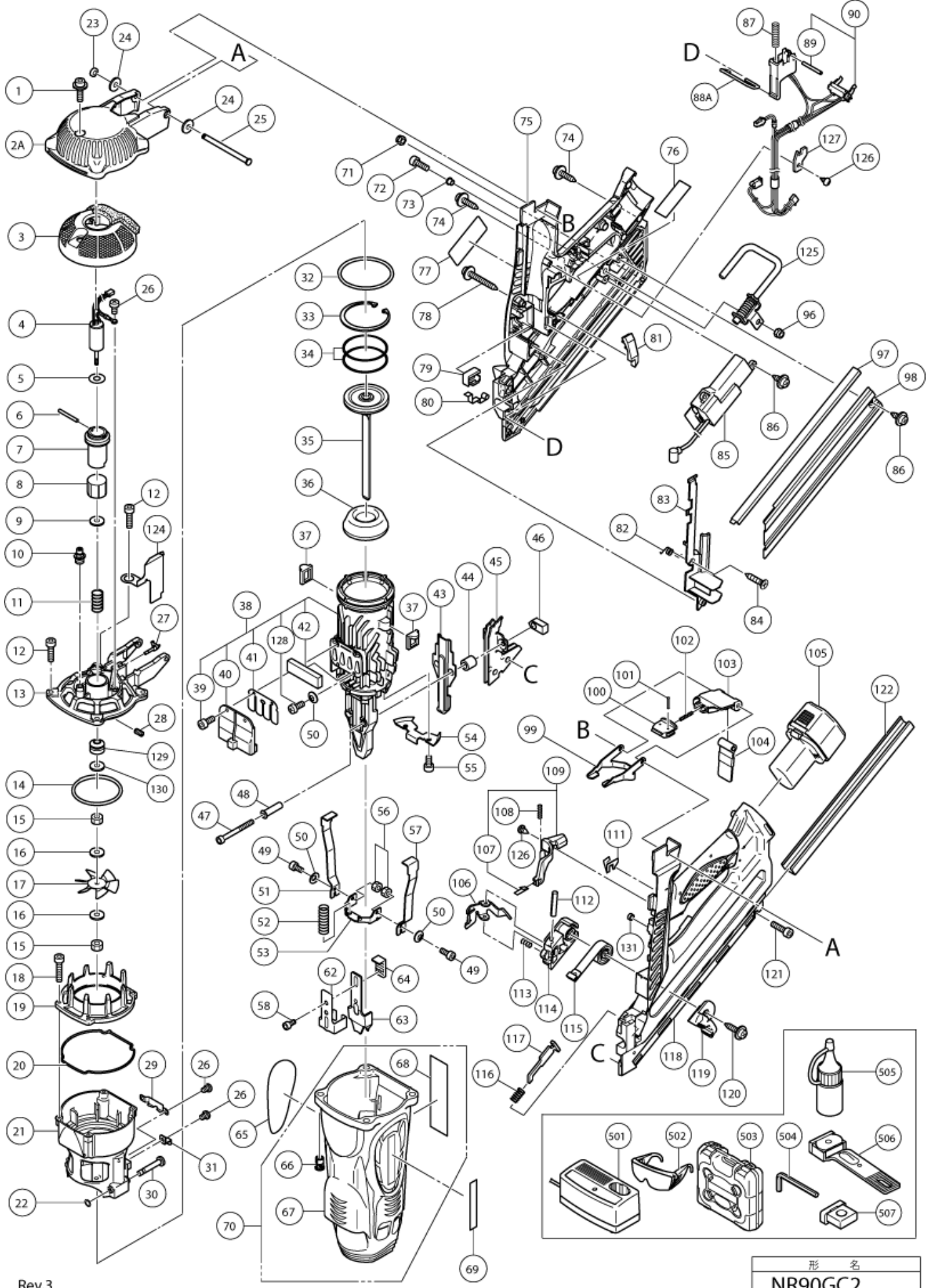


| nÂ° | Artikel | Aantal gebruikt |
|-----|---------------------------------------------|-----------------|
| 1 | 996399 HEX.SOCKET HD.BOLT M5X12 (W/FLANGE) | 1 |
| 2A | 886598 TOP COVER (OLD 886142) | 1 |
| 3 | 886129 FILTER ASS'Y | 1 |
| 5 | 885313 RUBBER WASHER | 1 |
| 6 | 885318 ROLL PIN D2.5X25 | 1 |
| 7 | 885310 MOTOR MOUNT | 1 |
| 8 | 885314 MOUNT SLEEVE | 1 |
| 9 | 885320 SHAFT WASHER | 1 |
| 10 | 885333 SPARK PLUG (A) | 1 |
| 11 | 885319 MOTOR SPRING | 1 |
| 12 | 949757 HEX.SOCKET HD BOLT M5X20 (10 PCS) | 4 |
| 13 | 885308 CYLINDER HEAD | 1 |
| 14 | 885316 O-RING (I.D. 59.92) | 1 |
| 15 | 949554 NUT M4 (10 PCS) | 2 |
| 16 | 949423 WASHER M4 (10 PCS) | 2 |
| 17 | 885311 FAN | 1 |
| 18 | 949754 HEX.SOCKET HD.BOLT M4X16 (10 PCS) | 4 |
| 19 | 885294 CHAMBER HEAD | 1 |
| 20 | 886133 GASKET (B) | 1 |
| 22 | 878607 PLUNGER O-RING | 2 |
| 23 | 880319 SHAFT RING | 1 |
| 24 | 949431 BOLT WASHER M5 (10 PCS.) | 2 |
| 25 | 885277 SHAFT | 1 |
| 26 | 949214 SCREW M4X6 (10 PCS) | 4 |
| 28 | 961681 HEX.SOCKET SET SCREW M4X5 | 2 |
| 29 | 885297 CHAMBER LOCK PLATE | 1 |
| 30 | 886484 PIN (A) (OLD 885921) | 2 |
| 31 | 885306 SWITCH PLATE | 1 |
| 32 | 885283 O-RING (I.D. 66.27) | 1 |
| 33 | 885285 RETAINING RING | 1 |
| 34 | 885286 PISTON RING | 2 |
| 35 | 885291 PISTON | 1 |
| 36 | 885289 PISTON BUMPER | 1 |
| 37 | 885284 CHAMBER STOP RUBBER (OLD 885790) | 2 |
| 38 | 885361 CYLINDER ASS'Y | 1 |
| 39 | 949812 HEX. SOCKET HD. BOLT M4X10 (10 PCS.) | 2 |
| 40 | 886467 BUFFER COVER | 1 |
| 41 | 885290 LEAD VALVE | 1 |

| nÂ° | Artikel | Aantal gebruikt |
|-----|---------------------------------------------|-----------------|
| 42 | 885288 MUFFLER | 1 |
| 43 | 885355 BLADE GUIDE | 1 |
| 44 | 885270 PLATE SLEEVE | 2 |
| 45 | 885326 SIDE PLATE | 1 |
| 46 | 886544 SPECIAL NUT M5 | 2 |
| 47 | 886545 NYLOCK HEX. SOCKET HD.BOLT M5X50 | 2 |
| 48 | 885269 NOSE SLEEVE | 2 |
| 49 | 886241 SEAL LOCK HEX. SOCKET HD. BOLT M4X10 | 2 |
| 51 | 886546 PUSHING LEVER ARM (C) (OLD 885787) | 1 |
| 52 | 886245 PUSHING LEVER SPRING | 2 |
| 53 | 885301 PUSHING LEVER CONNECTOR | 1 |
| 54 | 885299 CYLINDER PLATE | 1 |
| 56 | 956329 U-NUT M4 | 2 |
| 57 | 886547 PUSHING LEVER ARM (D) | 1 |
| 58 | 949819 HEX.SOCKET HD.BOLT M5X10 (10 PCS) | 1 |
| 62 | 886128 PUSHING STOPPER (OLD 885273) | 1 |
| 63 | 886144 PUSHING LEVER (A) | 1 |
| 64 | 885272 ADJUSTER BUSH (S) | 1 |
| 66 | 885304 SCREW M5 | 4 |
| 67 | 886134 HOUSING (OLD 885822) | 1 |
| 68 | 885307 INSULATOR SHEET | 1 |
| 70 | 886244 HOUSING ASS'Y (OLD 885823) | 1 |
| 71 | 876465 NYLON NUT M4 | 1 |
| 72 | 949820 HEX.SOCKET HD.BOLT M5X15 (10 PCS) | 1 |
| 73 | 878164 SLEEVE | 1 |
| 74 | 302086 TAPPING SCREW D4X20 (W/FLANGE) BLACK | 5 |
| 75 | 886256 HANDLE (B) NR90GC2 | 1 |
| 78 | 301815 TAPPING SCREW D4X45 (W/FLANGE) | 1 |
| 79 | 885334 SWITCH MOUNT | 1 |
| 80 | 885347 SWITCH ARM | 1 |
| 81 | 885338 PRISM | 1 |
| 82 | 885337 LOCK BAR SPRING | 1 |
| 83 | 885339 WIRING COVER | 1 |
| 84 | 885346 FLAT HD TAPPING SCREW D4 | 1 |
| 85 | 885595 CONTROLLER FOR USA & CAN | 1 |
| 85 | 885331 CONTROLLER | 1 |
| 86 | 309933 TAPPING SCREW D4X14 (W/FLANGE) BLACK | 3 |
| 87 | 885828 TRIGGER SPRING (OLD 885336) | 1 |

| nÂ° | Artikel | Aantal gebruikt |
|-----|-----------------------------------------------|-----------------|
| 88A | 887617 CHAMBER LOCK BAR (OLD 885340) | 1 |
| 90 | 885798 TRIGGER INTERNAL WIRE SET (OLD 885332) | 1 |
| 96 | 877371 NYLON NUT M5 | 1 |
| 97 | 885341 NAIL RAIL | 1 |
| 98 | 885342 MAGAZINE PLATE | 1 |
| 99 | 886141 | 1 |
| 100 | 885280 LATCH | 1 |
| 101 | 949859 ROLL PIN D2X8 (10 PCS) | 2 |
| 102 | 885281 SPRING D3.6 | 1 |
| 103 | 885352 CELL COVER | 1 |
| 104 | 886131 CELL RUBBER (A) | 1 |
| 106 | 885323 NAIL FEEDER | 1 |
| 107 | 886257 TENSION PLATE | 1 |
| 108 | 885518 SPRING | 1 |
| 109 | 886147 SWITCH LEVER (B) ASS'Y | 1 |
| 110 | 885349 PIN D2.5 | 1 |
| 111 | 886138 LEVER STOPPER | 1 |
| 112 | 949506 ROLL PIN D4X28 (10 PCS) | 1 |
| 113 | 883687 SPRING | 1 |
| 114 | 885324 NAIL FEEDER (B) | 1 |
| 115 | 885325 RIBBON SPRING | 1 |
| 116 | 885328 SPRING D8 | 1 |
| 117 | 885327 PUSHING LEVER STOPPER | 1 |
| 118 | 886728 HANDLE (A) NR90GC2 GREY | 1 |
| 119 | 886246 FEEDER KNOB | 1 |
| 120 | 302089 TAPPING SCREW (W/FLANGE) D5X20 (BLACK) | 1 |
| 121 | 880003 HEX.SOCKET HD BOLT M4X18 | 1 |
| 122 | 885354 MAGAZINE GUARD | 1 |
| 124 | 886253 WIRING PLATE | 1 |
| 125 | 886255 HOOK ASS'Y (B) | 1 |
| 126 | 885714 TAPPING SCREW D3 | 2 |
| 127 | 886548 WIRING PLATE | 1 |
| 128 | 303631 MACHINE SCREW M4X6 (SEAL LOCK) | 2 |
| 129 | 886470 SHAFT COVER | 1 |
| 130 | 886471 WASHER | 1 |
| 131 | 886543 SLEEVE | 1 |
| 503 | 886254 CASE | 1 |
| 504 | 944458 HEX. BAR WRENCH 4MM | 1 |

| nÂ° | Artikel | Aantal gebruikt |
|-----|--------------------------|-----------------|
| 602 | 885788 RUBBER NOSE ASS'Y | 1 |
| 603 | 885791 RUBBER NOSE | 1 |



Rev.3