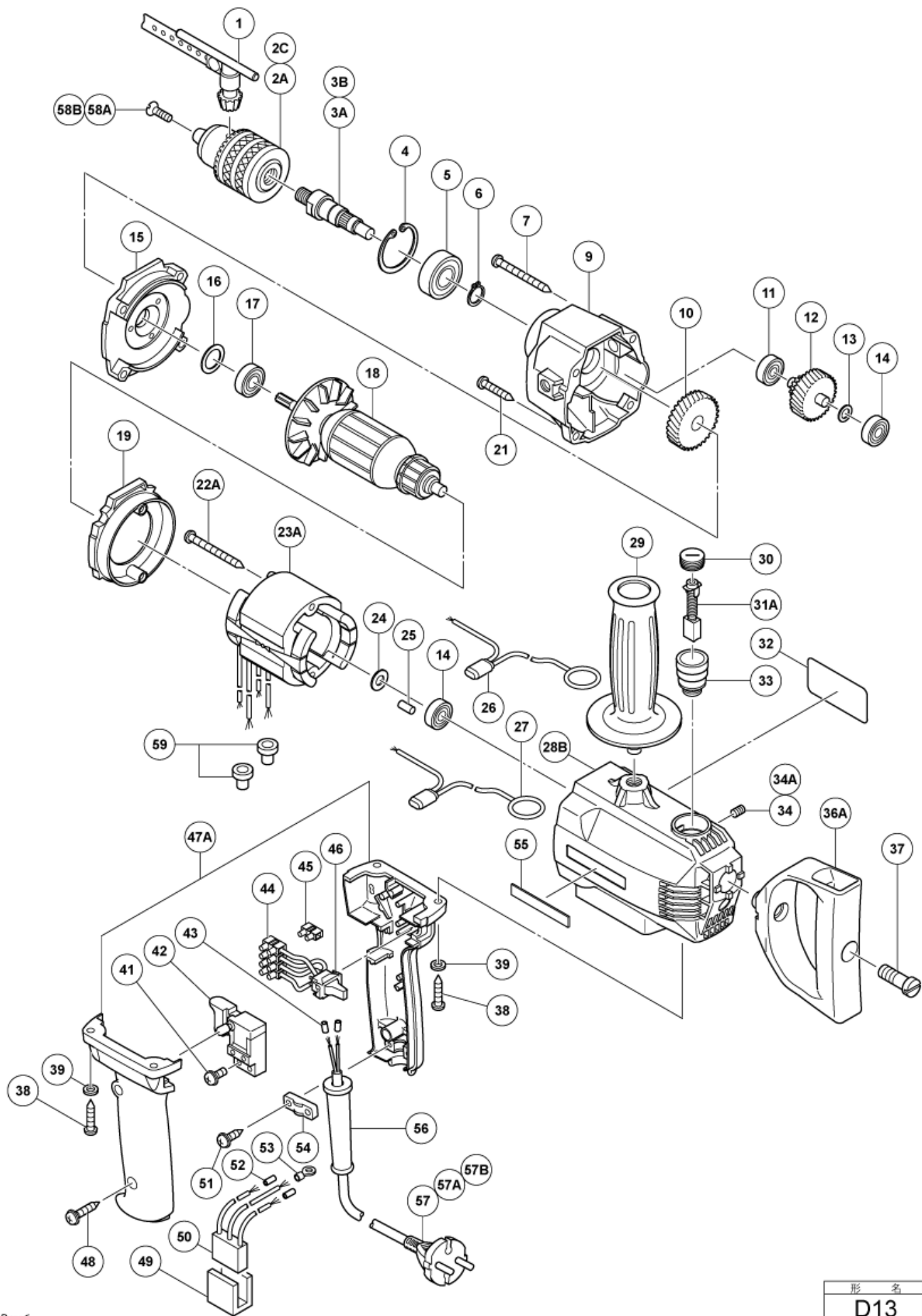


nÂ°	Artikel	Aantal gebruikt
1	930515 CHUCK WRENCH 10G	1
2A	321810 DRILL CHUCK 13EL	1
3B	981667 SPINDLE	1
3A	981651Z SPINDLE	1
4	939556 RETAINING RING FOR D35 HOLE (10 PCS)	1
5	6202VV BALL BEARING 6202VVCMP2S	1
6	939544 RETAINING RING FOR D15 SHAFT (10 PCS)	1
7	957725 TAPPING SCREW D5X70	2
9	981650 GEAR COVER (OLD 981650Z)	1
10	983448 FINAL GEAR (OLD 981653Z)	1
11	627VVM BALL BEARING 627VVMC2EPS2S	1
12	981652Z SECOND PINION	1
13	949426 WASHER M8 (10 PCS)	1
14	608VVM BALL BEARING 608VVC2PS2L	2
15	982791 INNER COVER ASS'Y (OLD 982791Z)	1
16	984357 WASHER (OLD 984113Z)	1
17	609VVM BALL BEARING 609VVC2PS2L	1
18	981657U ARMATURE ASS'Y 110-127 VOLT (OLD 981657J)	1
18	981657F ARMATURE 240 VOLT (OLD 981657H)	1
18	981657E ARMATURE 220-230 VOLT (OLD 981657G)	1
19	981562 FAN GUIDE	1
21	931875 TAPPING SCREW D5X35	2
22A	991007 TAPPING SCREW D5X60	2
23A	982797F STATOR 230-240 VOLT	1
23A	982806 STATOR 100V	1
23A	982797J STATOR 110 VOLT	1
23A	982797E STATOR 220 VOLT	1
23A	982797L STATOR 220-230 VOLT	1
24	984367 WASHER (C)	1
25	946362 BEARING LOCK	1
26	982800Z BRUSH TERMINAL (W/CHOKE COIL)	1
26	982798Z BRUSH TERMINAL	1
27	982801Z BRUSH TERMINAL (W/CHOKE COIL)	0
27	982799Z BRUSH TERMINAL	1
28B	332082 HOUSING ASS'Y	1
29	981205 SIDE HANDLE FOR M10	1
30	961781 BRUSH CAP	2
31A	999073 CARBON BRUSH A.S. TYPE (OLD 981612Z)	2

nÂ°	Artikel	Aantal gebruikt
33	981586 BRUSH HOLDER	2
34A	985114 HEX.SOCKET SET SCREW M4X6	2
34	962782 HEX.SOCKET SET SCREW M5X6	2
36A	982794Z D-TYPE HANDLE	1
37	982796Z SPECIAL BOLT M10	1
39	949424 WASHER M5 (10 PCS)	4
41	980060 MACHINE SCREW (W/WASHER) M3.5X5	2
42	971667Z SWITCH (2P PILLAR TYPE)	1
42	957747 SWITCH (A) (1P SCREW TYPE) W/LOCK	1
44	982804Z PILLAR TERMINAL (B)	1
45	982805Z PILLAR TERMINAL (B)	1
46	982802Z REVERSING SWITCH ASS'Y	1
47A	331660 HANDLE (A+B) SET (OLD 984360+984361)	1
48	982095 TAPPING SCREW D4X20 (W/WASHER) (OLD 996255)	1
49	930153 SUPPORT (B)	0
50	971828 NOISE SUPPRESSOR (OLD 971828Z)	1
50	994273 NOISE SUPPRESSOR	1
52	981373 TUBE (D)	0
53	961419Z TERMINAL	1
53	959146 TERMINAL 50061 (10 PCS)	1
54	960266 CORD CLIP	1
56	938051 CORD ARMOR D10.1	1
56	953327 CORD ARMOR D8.8	1
57	930051 CORD	1
57	500447Z CORD 2,5M 2 X 1.0 H05VV-F (OLD 500395Z)	1
57B	500435Z CORD 2,5M 2 X 1.0 H05VV-F W/PLUG 13A/250V GBR	1
57	500240Z CORD FOR USA/CAN	1
58B	331966 FLAT HD. SCREW (LEFT HAND) M6X20	1
58	981122 SPECIAL SCREW M6X22	1
59	959140 CONNECTOR 50091 (10 PCS.)	2
602	981655Z DEPTH STOPPER	1



Rev.6

形 名
D13