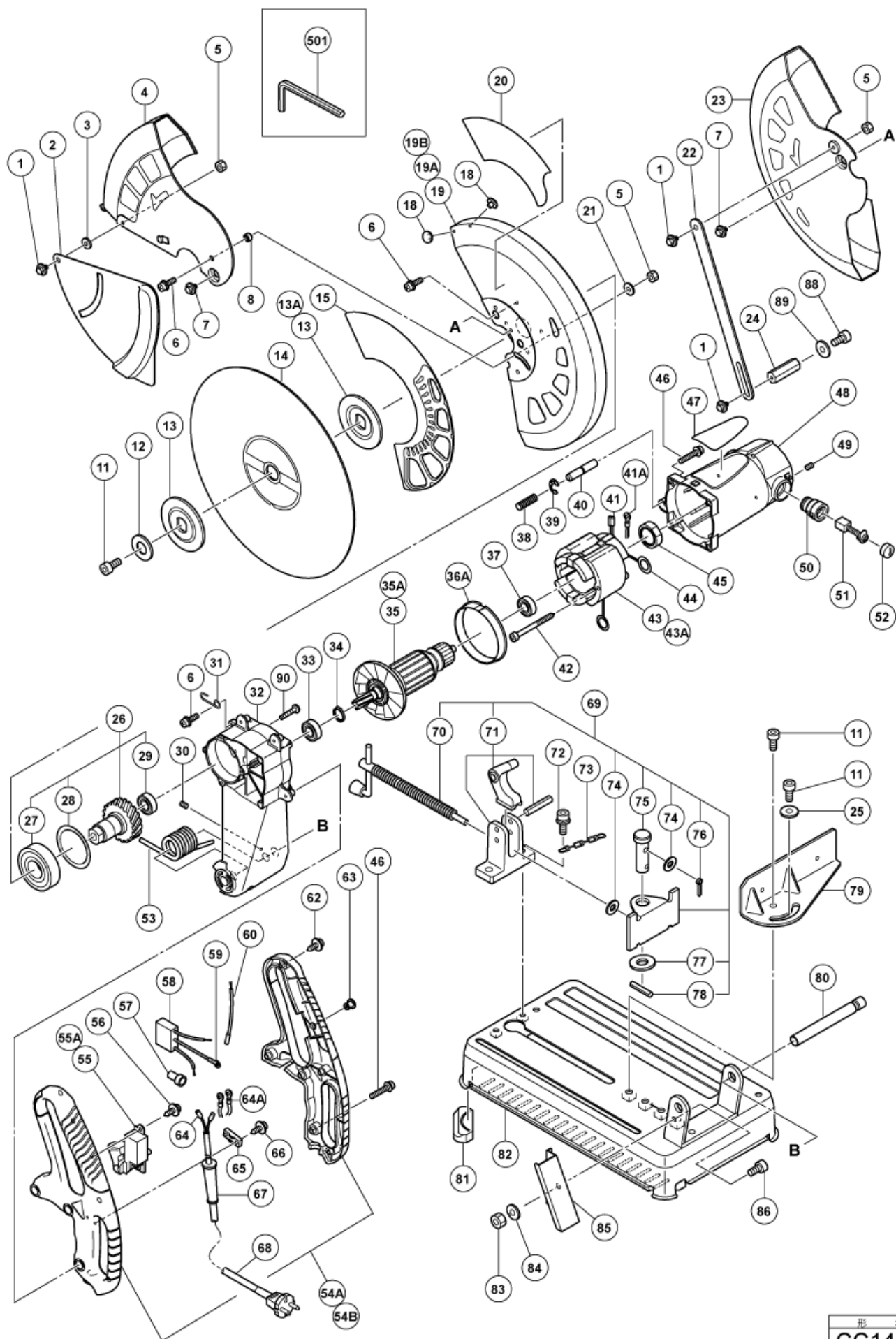


nÂ°	Artikel	Aantal gebruikt
1	325133 BOLT (B) (W/FLANGE)	2
2	325132 SUB COVER (B)	1
4	325128 SUB COVER (A)	1
5	949566 LOCK NUT M5 (10 PCS) (OLD 991-01050-013)	1
6	307294 MACHINE SCREW M5X16 BLACK (W/WASHERS) (OLD 791045)	1
7	325130 BOLT (A) (W/FLANGE)	1
8	325131 COVER SPACER	1
12	965724 WASHER (A)	1
13A	335333 WHEEL WASHER (A)	2
13	325117 WHEEL WASHER (A)	2
18	325127 COVER BUSH	2
19	325105 WHEEL COVER (A)	1
19A	335334 WHEEL COVER (A) NEW	1
21	949431 BOLT WASHER M5 (10 PCS.)	1
26	325103 SPINDLE ASS'Y	1
27	6306VV BALL BEARING 6306VVCMP2S	1
28	325017 STOPPER PIN (B)	1
30	318044 SEAL LOCK HEX. SOCKET SET SCREW M5X16	1
31	321234 CHAIN HOOK	1
32	325113 GEAR CASE	1
33	6002VV BALL BEARING 6002VVCMP2L	1
34	939544 RETAINING RING FOR D15 SHAFT (10 PCS)	1
35	360732F ARMATURE ASS'Y 230-240 VOLT	1
35A	360731 ARMATURE ASS'Y 100-110 VOLT	1
36A	326156 FAN GUIDE (M)	1
37	6000VV BALL BEARING 6000VVCMP2L	1
38	948363 GAUGE SPRING	1
39	955479 RETAINING RING (E-TYPE) FOR D6 SHAFT	1
40	321239 STOPPER PIN	1
42	984271 HEX. HD.TAPPING SCREW D5X75 (OLD 963454Z)	2
43	340643H STATOR ASS'Y 230-240 VOLT	1
43A	340643Q STATOR ASS'Y 230-240 VOLT	0
43	340643G STATOR ASS'Y 110 VOLT	1
44	998744 BRUSH TERMINAL	2
45	325116 BEARING BUSHING	1
46	312298 MACHINE SCREW M5X35 W/WASHERS	7
48	325125 HOUSING ASS'Y	1
49	938477 HEX.SOCKET SET SCREW M5X8	2

nÂ°	Artikel	Aantal gebruikt
50	980487 BRUSH HOLDER	2
51	999044 CARBON BRUSH (1 PAIR)	2
52	940540 BRUSH CAP	2
53	321422 SPRING	1
54A	331668 HANDLE (A+B) SET (OLD 325123+325124)	0
54B	333400 HANDLE AND HANDLE COVER SET	0
55A	334189 SWITCH 2 PILLAR TYPE W/LOCK	0
55	976825 SWITCH (2P PILLAR TYPE) W/LOCK	0
55	951894 SWITCH (2P PILLAR TYPE) W/LOCK	1
56	305720 TAPPING SCREW D4X12 (W/FLANGE)	1
57	959141 CONNECTOR 50092 (10 PCS) (OLD 939558)	2
58	994273 NOISE SUPPRESSOR	1
58	930039 NOISE SUPPRESSOR	1
59	938108 TERMINAL	1
62	301653 TAPPING SCREW (W/FLANGE) D4X20 (BLACK)	3
63	951895 LOCK OFF BUTTON	1
64A	930804 TERMINAL M4.0 (10 PCS.)	0
64	981373 TUBE (D)	0
65	937631 CORD CLIP	1
67	953327 CORD ARMOR D8.8	1
67	938051 CORD ARMOR D10.1	1
68	500461Z CORD 3M 2 X 1,0 H05VV-F W/PLUG 16A CEE FORM 2P+E FOR GBR	1
68	500447Z CORD 2,5M 2 X 1.0 H05VV-F (OLD 500395Z)	1
68	500435Z CORD 2,5M 2 X 1.0 H05VV-F W/PLUG 13A/250V GBR	1
69	325101 VISE ASS'Y	1
70	321226 SCREW ASS'Y	1
71	325102 SCREW HOLDER	1
72	307357 HEX SOCKET HD BOLT M8X25	2
73	968520 CHAIN (6 LINK) (NEW 965226)	1
74	949433 BOLT WASHER M8 (10 PCS.)	1
75	321229 BOLT	1
76	949537 SPLIT PIN D3X15 (10 PCS.)	1
77	321232 WASHER M16	1
78	949681 ROLL PIN D5X25 (10 PCS.)	1
79	325100 VISE (B)	1
80	321237 HINGE SHAFT	1
81	321223 BASE RUBBER	4
82	325121 BASE	1

nÂ°	Artikel	Aantal gebruikt
83	949568 LOCK NUT M8 (10 PCS) SMALL (OLD 949568Z)	1
84	949457 SPRING WASHER M8 (10 PCS.)	1
85	325108 SPARK CHUTE	1
86	949656 HEX.SOCKET HD.BOLT M8X20 (10 PCS)	1
88	949844 HEX.SOCKET HD.BOLT M10X20 (10 PCS)	3
89	949434 BOLT WASHER M10 (10 PCS)	2
90	326157 TRUSS HD. SCREW M5X12	2
501	955857 HEX. BAR WRENCH 8MM	1



Rev.8

形名
CC14SF